


# PRODUCT SHEET

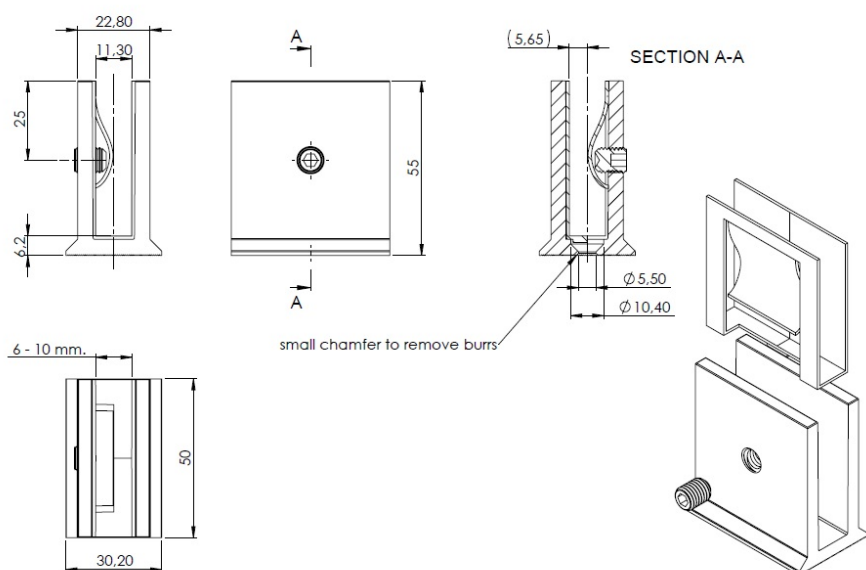
## Description:

Glass Clamp "Kos", SS-Look, Floor/Glass, 55x50x30mm, 6-10mm, Glass Thickness, No Cutting, Brass Material

## Item number:

15.23.780-5

Units	Box	Carton	HS Code	Barcode
Pcs.	1	50	8302419000	 5704866512855



## SISO A/S

Mileparken 11  
DK-2740 Skovlunde  
Denmark  
VAT: DK 24786013

Phone +45 45 830 900

[www.siso.dk](http://www.siso.dk)  
[siso@siso.dk](mailto:siso@siso.dk)

Danske Bank  
Nytorv Branch  
Copenhagen  
SWIFT: DABADKKK

Account no.  
4180 3112 112936  
IBAN Account  
DK7230003112112936